

Valves for Safety Applications



- Inherently fail-safe
- Dynamic self-monitoring
- No residual pressure
- Large exhaust capacity
- World-wide Safety Approvals

ESSENTIAL PRINCIPLES

Basic features of safety valves

- Inherently fail safe design
- Dynamic self monitoring
- Double crossflow channel design
- Residual pressure-free system
- Large exhaust capacity
- Short response time
- Long life

Complete range of standard and special valves

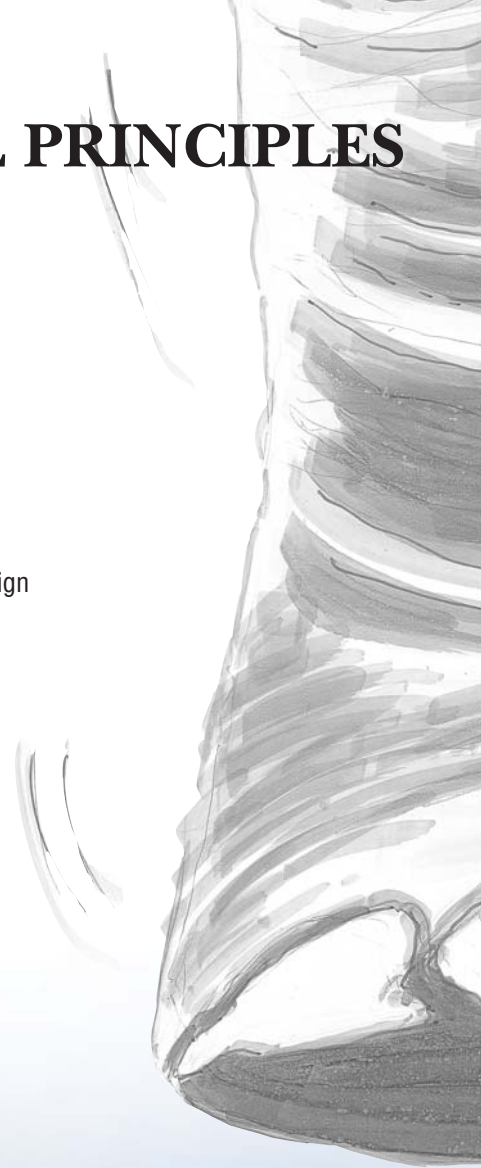
- 3/2 pneumatically controlled safety valves
- 5/2 pneumatically controlled safety valves

The solution for many delicate safety applications

The main principles to be kept in mind when thinking about safety applications are:

- prevent people from getting hurt
- protect expensive machine parts and mechanical elements

Where Safety matters...



IN THE WORLD OF SAFETY VALVES



**Norgren and Herion, the perfect fit,
in Safety Knowledge...**

**Norgren-Herion XSz safety valves –
The ultimate choice when it comes to**

- fail safe operation
- emergency stop
- satisfying safety regulations
- increasing safety
- prevent injury
- protect expensive equipment
- increase productivity

**...Norgren-Herion
the safety solution!**

Safety requirements



Whatever the safety requirements
Norgren-Herion has the solution:
3/2 – 5/2 safety valves for many
applications:

- mechanical presses
- pneumatic presses
- amusement park facilities
- emergency brake systems
- handling systems (or robots)
- process control
- special machines



3/2 – 5/2 safety valves

X5z 10

- 3/2 safety valve
- fail safe
- G 1/2 or 1/2 NPT
- sub-base mounted



X5z 20

- 3/2 safety valve
- fail safe
- G 3/4 or 3/4 NPT (1 optionally)
- sub-base mounted



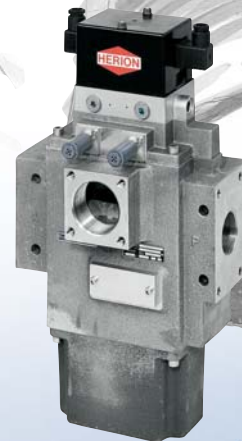
X5z 32

- 3/2 safety valve
- fail safe
- G 1 or 1 NPT (1 1/2 optionally)
- sub-base mounted



X5z 50

- 3/2 safety valve
- fail safe
- G 2 or 2 NPT
- inline or flanged

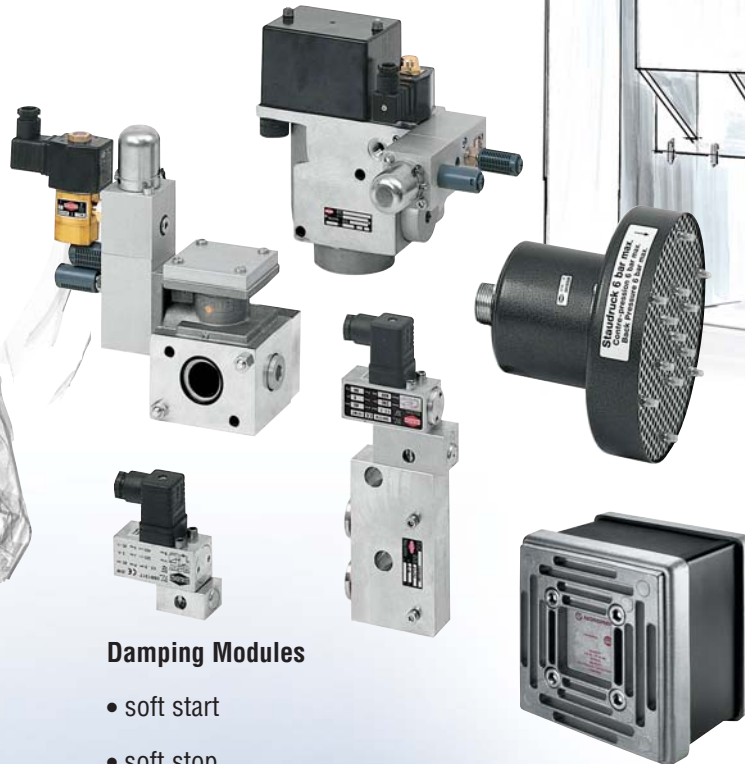
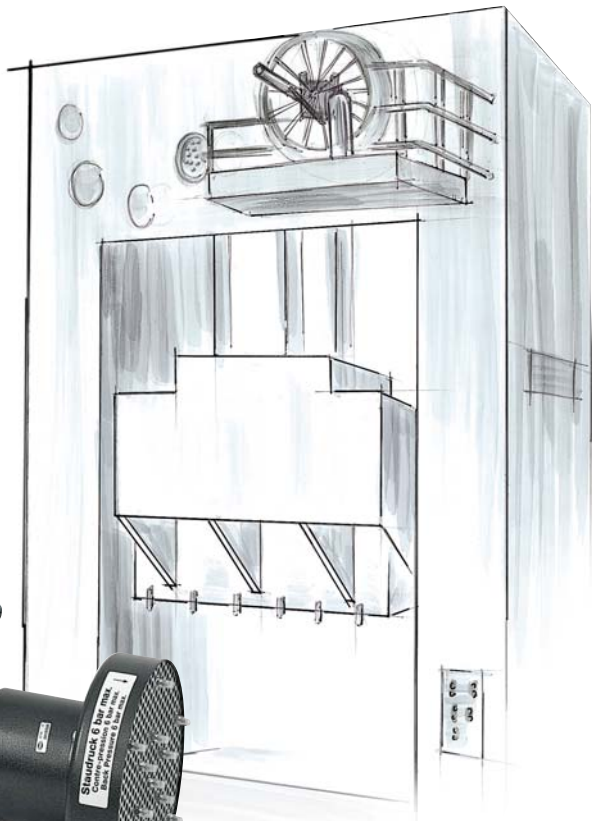


X5z 10V

- 5/2 safety valve
- fail safe
- G 1/2 or 1/2 NPT
- sub-base/inline



Additional Equipment



Damping Modules

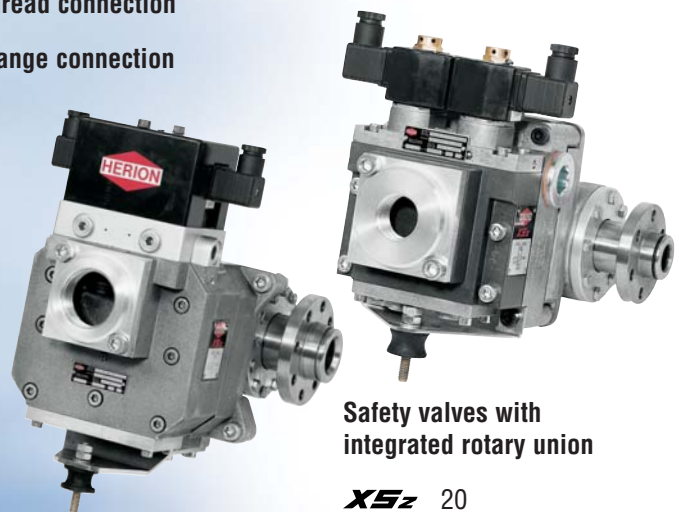
- soft start
- soft stop

Overlap correction

Failure indication elements

Safety Silencers – thread connection

Safety Silencers – flange connection



Safety valves with integrated rotary union

X5z 20

X5z 32

Technical Data

3/2 Safety Valves

Model	Part Number		Voltage	Port Size		
	G-thread	NPT-thread		1 (P)	2 (A)	3 (R)
XSz 10	2492900.0200	2492920.0200	ac	1/2	1/2	3/4
XSz 10	2492901.0200	2492921.0200	dc	1/2	1/2	3/4
XSz 20	2493000.0800	2493020.0800	dc/ac	1/2	3/4	1
XSz 20	2493040.0800	2493045.0800	dc/ac	3/4	3/4	1
XSz 20	2493042.0800	–	dc/ac	3/4	1	1
XSz 32	2493130.0800	2493120.0800	dc/ac	1	1	1 1/2
XSz 32	2493134.0800	–	dc/ac	1	1 1/2	1 1/2
XSz 50	2493230.0800	2493220.0800	dc/ac	1 1/2	2	2

5/2 Safety Valves

Model	Part Number		Voltage	Port Size				
	G-thread	NPT-thread		1 (P)	2 (A)	3 (R)	4 (B)	5 (S)
XSz 10 V	2492950.0200	2492970.0200	ac	1/2	1/2	3/4	1/2	1/2
XSz 10 V	2492951.0200	2492971.0200	dc	1/2	1/2	3/4	1/2	1/2

For further information please see the following brochures (available at Norgren Herion):

item	brochure number
safety valves: XSz 10, XSz 20, XSz 32, XSz 50, XSz 10 V	5.4.303.01 5.4.310
additional equipment: XSz with integrated rotary union safety silencers - thread connection safety silencers - flange connection soft start ("soft clutch") valve soft stop ("soft brake") valve overlap correction failure indication elements	5.4.316 5.11.042 5.4.315 5.11.041 5.4.311 5.4.317 5.4.317





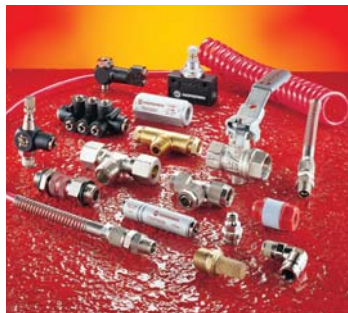
Actuators



Pneumatic control and process valves



Air preparation



Fittings and accessories



Handling components



Handling systems

Norgren market companies worldwide

AUSTRALIA
Tel: + 61 3 9213 0800
Fax: + 61 3 9213 0890

AUSTRIA & EASTERN EUROPE
Tel: + 43 2236 63 520
Fax: + 43 2236 63 520 20
Eastern Europe Fax: + 43 2236 63 520 124

BELGIUM AND LUXEMBOURG
Tel: + 32 2 376 60 20
Fax: + 32 2 376 26 34

BRAZIL
Tel: + 55 11 522 1066
Fax: + 55 11 523 2259

CANADA
Tel: + 1 905 625 4060
Fax: + 1 905 625 8273

CHINA
Tel: + 86 21 648 57935
Fax: + 86 21 649 56042

CROATIA
Tel: + 386 64 752 393
Fax: + 386 64 752 393

CZECH REPUBLIC (NORTH)
Tel: + 42 0446 2010
Fax: + 42 0446 2010

CZECH REPUBLIC (SOUTH)
Tel: + 42 0629 6334 04
Fax: + 42 0629 6334 04

DENMARK
Tel: + 45 42 91 41 66
Fax: + 45 42 91 15 60

FRANCE
Tel: + 33 1 60 05 92 12
Fax: + 33 1 60 06 08 52

GERMANY NORTH
Tel: + 49 28 02 490
Fax: + 49 28 02 49356

GERMANY SOUTH
Tel: + 49 711 52090
Fax: + 49 711 5209-614

HONG KONG
Tel: + 85 2 2492 7608
Fax: + 85 2 2498 5878

HUNGARY
Tel: + 36 1 2849 000
Fax: + 36 1 2848 980

IRELAND
Tel: + 35 318 300 288
Fax: + 35 318 300 082

ITALY
Tel: + 39 039 60 631
Fax: + 39 039 60 301

JAPAN
Tel: + 81 6 876 8913
Fax: + 81 6 876 8929

MALAYSIA
Tel: + 60 03 5219 255
Fax: + 60 03 5212 889

MEXICO
Tel: + 52 5 390 2249
Fax: + 52 5 390 7646

NETHERLANDS
Tel: + 31 20 682 2751
Fax: + 31 20 682 0983

NEW ZEALAND
Tel: + 64 9 579 0189
Fax: + 64 9 526 3397

NORWAY
Tel: + 47 67 90 82 01
Fax: + 47 67 97 06 24

POLAND
Tel: + 48 22 827 85 36
Fax: + 48 22 828 01 81

SINGAPORE
Tel: + 65 862 1811
Fax: + 65 862 1916/7

SLOVENIA
Tel: + 386 64 752 393
Fax: + 386 64 752 393

SLOVAKIA
Tel: + 421 87 524 338
Fax: + 421 87 524 338

SPAIN
Tel: + 34 93 731 00 00
Fax: + 34 93 783 0838

SWEDEN
Tel: + 46 46 19 67 50
Fax: + 46 46 15 25 95

SWITZERLAND
Tel: + 41 71 973 82 00
Fax: + 41 71 973 82 01

UK
Tel: + 44 1543 414333
Fax: + 44 1543 268052

USA
Tel: + 1 303 794 2611
Fax: + 1 303 795 9487

For address details of Norgren independent distributors worldwide please contact us.

Automotive Division

GERMANY
Tel: + 49 61 22 9093 0
Fax: + 49 61 22 9093 99

ITALY
Tel: + 39 11 95 710 43
Fax: + 39 11 95 72 715

PACIFIC/SOUTH AMERICA
Tel: + 1 810 294 9500
Fax: + 1 810 294 7830

UK
Tel: + 44 1543 405300
Fax: + 44 1543 405350

USA
Tel: + 1 810 294 9500
Fax: + 1 810 294 9715



GLOBAL SERVICE NETWORK

Norgren is a leading world manufacturer and supplier of pneumatic solutions, offering a comprehensive range of pneumatic components and automation systems via a global sales and service network which covers 70 countries worldwide. The company is a principal member of the diverse and internationally successful £1.4 billion IMI Group.



IMI

a subsidiary of IMI plc
Code

IMI Norgren-Herion Fluidtronic GmbH & Co. KG,
70731 Fellbach,
Factory address: Stuttgarter Str. 120, 70736 Fellbach
Tel: +49 (7 11) 52 09-0, Fax: +49 (7 11) 52 09-614,
www.norgren-herion.de · www.norgren.com



The Roundel, 'Norgren' and 'IMI' are registered trade marks. ©IMI Norgren Limited 1998.
Due to our policy of continued development, Norgren reserve the right to change specifications without prior notice.